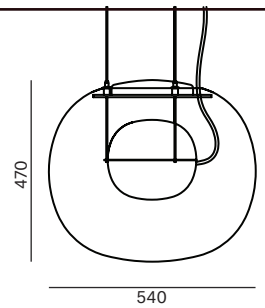


Package contents

Name: **Big One PC1044
suspension light**

Components included with unit: two-piece core with magnets on suspension ring, ceiling canopy bracket, ceiling canopy, outer globe, glass cover, 3x cable anchors, 2x hex screw (M4), hex key size 2, hex key 2.5, 1x bubble level, 2x terminal connectors, cotton gloves, installation manual



Installation manual

**Installation must be carried out by a qualified electrician only.
Switch off power at main circuit panel prior to installation!
The manufacturer assumes no liability for damage resulting from incorrect installation.**

**Due to atmospheric conditions during transport or long-term storage of the product,
the glass may become cloudy. Ensure the glass is clean prior to installation.**

1. Installation of the ceiling canopy bracket and cable anchors

- Use the provided template to mark three points on the ceiling. Secure the cable anchors to the ceiling.
- Using hardware of sufficient strength (not included), secure the ceiling canopy bracket to the ceiling.
- With regard for various types of ceiling materials, we recommend consulting an expert when securing the bracket to the ceiling. The manufacturer assumes no liability for incorrect installation or defects in the material to which this load-bearing component is to be secured.

2. Hanging the light

- Pass the steel cables through the first part of the cable anchors, the so-called cable gripper (fig. *A).
- Unscrew the second part of the cable anchor (fig. *B) and pass it over the unfrayed cable. Press parts *A and *B together to secure the cable. Next, pass the cable through the hole in the side of the cable anchor (fig. *C). Once installation is complete, cut the cable so that it partially protrudes from the hole. Never cut the cable before installation is complete. Following these steps will ensure that the cables from which the entire light is suspended have been securely anchored.

3. Balancing the light

- Use the provided bubble level to check the position of the core suspension ring. Make gentle adjustments to the length of the cables by loosening and pressing the cable gripper.
- Once the light is balanced, secure the cable gripper by retightening it.

4. Unlocking the suspension levers

- Using the hex key size 2.5, loosen the three M4x8 screws. Rotate the three suspension levers to the left so that they do not protrude beyond the edge of the suspension ring.

-
5. - Install the light source (G9) in the electrical socket in the bottom half of the inner globe and then position the upper half over the bottom half. Ensure the magnets at the edges of each half of the inner globe are aligned with one another.

TECHNICAL SUPPORT
info@brokis.cz
www.brokis.cz

OFFICE
Španielova 1315/25, Praha Řepy, 16300, Czech Republic
IČO 64940799, DIČ CZ64940799

SHOWROOM AND FACTORY
Sídliště Janštejn 39, Horní Dubenky, 588 52,
Czech Republic



6. **Installing the outer globe** (requires two people)
- Lift the outer globe over the inner globe until its opening is slightly higher (no more than 50 mm) than the suspension ring. Return the suspension levers unlocked in step 4 to their original positions and secure them with the three M4x8 screws. Ensure the suspension components have been properly secured to prevent unwanted shifting, and then gently lower the outer globe onto them.
-
7. - Place the glass cover on the light.
-
8. **Connect the light to the building wiring.**
-
9. Using two hex screws and a hex key, fasten the ceiling canopy to its bracket.
-

10. **Cleaning - replacing the light source**
- *Always clean the inner parts of the light only after it has been taken down and disassembled.*

Uninstalling the outer globe (requires two people)

- Remove the glass cover from the light.
- Lift the outer globe above the suspension ring (no more than 50 mm).
- Using the hex key size 2.5, loosen the three M4x8 screws. Rotate the three suspension levers to the left so that they do not protrude beyond the edge of the suspension ring.
- Remove the outer globe and then carefully turn the upper half of the inner globe slightly (approx. 2 cm) and remove the upper half of the inner globe.
- Replace the light source (G9).
- Follow the steps in reverse order to reassemble the light.

Prior to shipping, the functionality of each light and its components is thoroughly tested. The manufacturer assumes no liability for the mishandling of products.

Installation time: 1 H (2 persons)

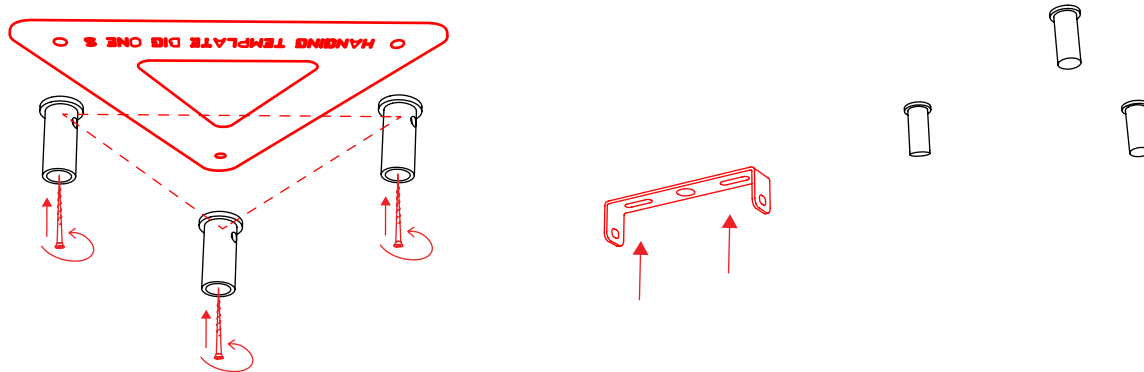
TECHNICAL SUPPORT
info@brokis.cz
www.brokis.cz

OFFICE
Španielova 1315/25, Praha Řepy, 16300, Czech Republic
IČO 64940799, DIČ CZ64940799

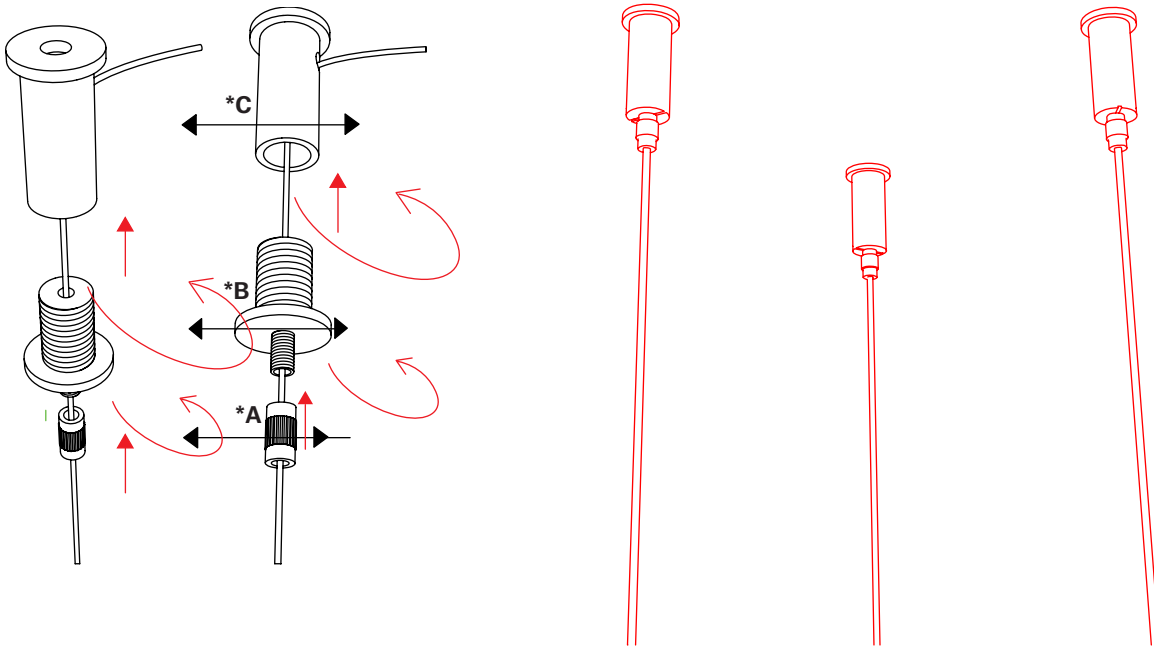
SHOWROOM AND FACTORY
Sídliště Janštejn 39, Horní Dubenky, 588 52,
Czech Republic



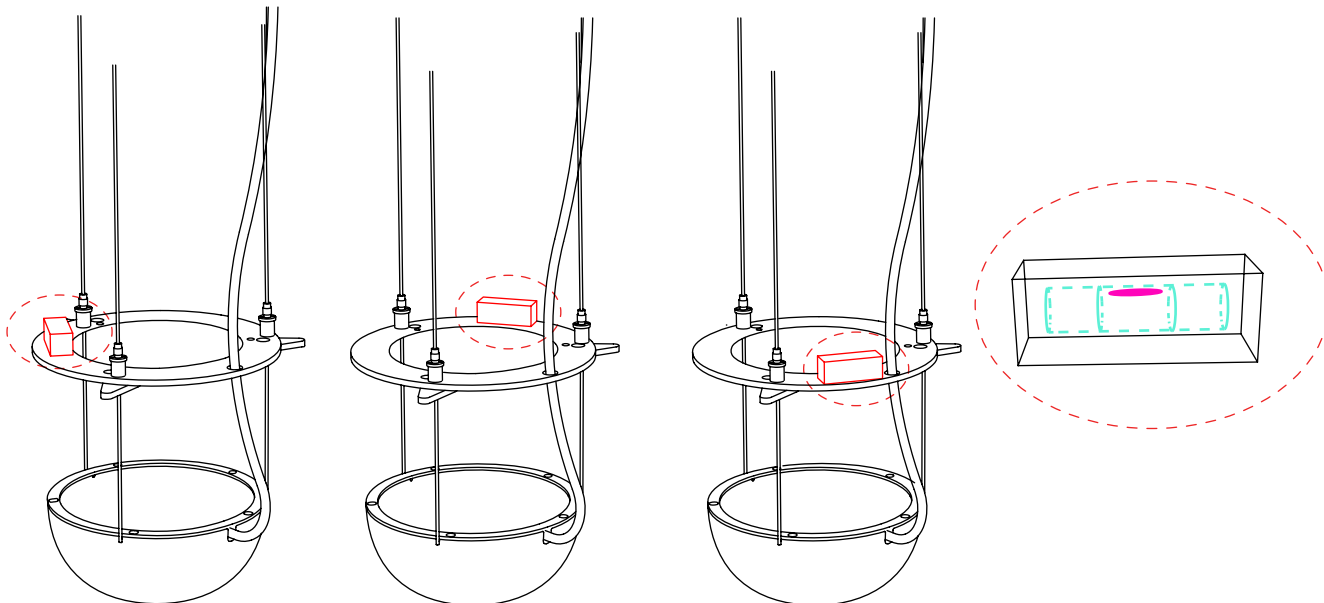
1.



2.



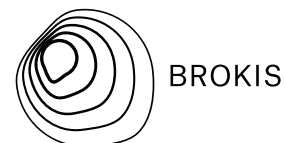
3.



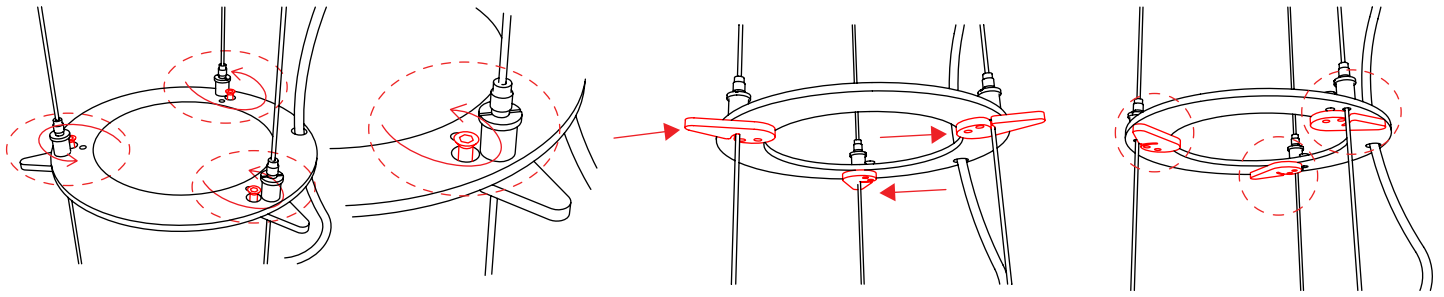
TECHNICAL SUPPORT
info@brokis.cz
www.brokis.cz

OFFICE
Španielova 1315/25, Praha Řepy, 16300, Czech Republic
IČO 64940799, DIČ CZ64940799

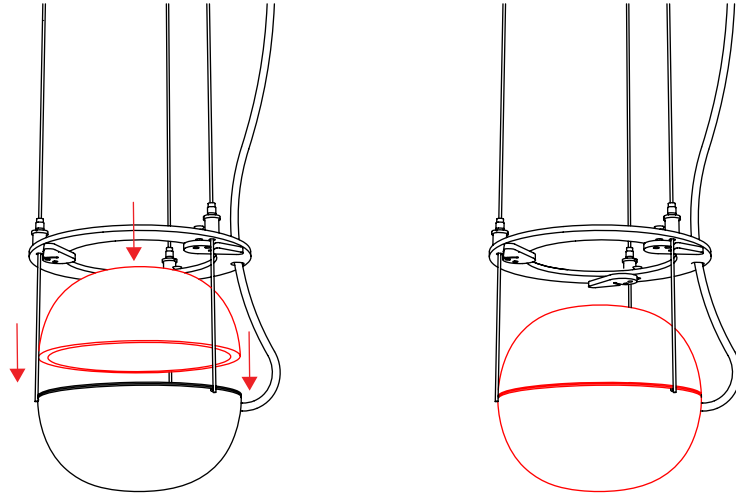
SHOWROOM AND FACTORY
Sídliště Janštejn 39, Horní Dubenky, 588 52,
Czech Republic



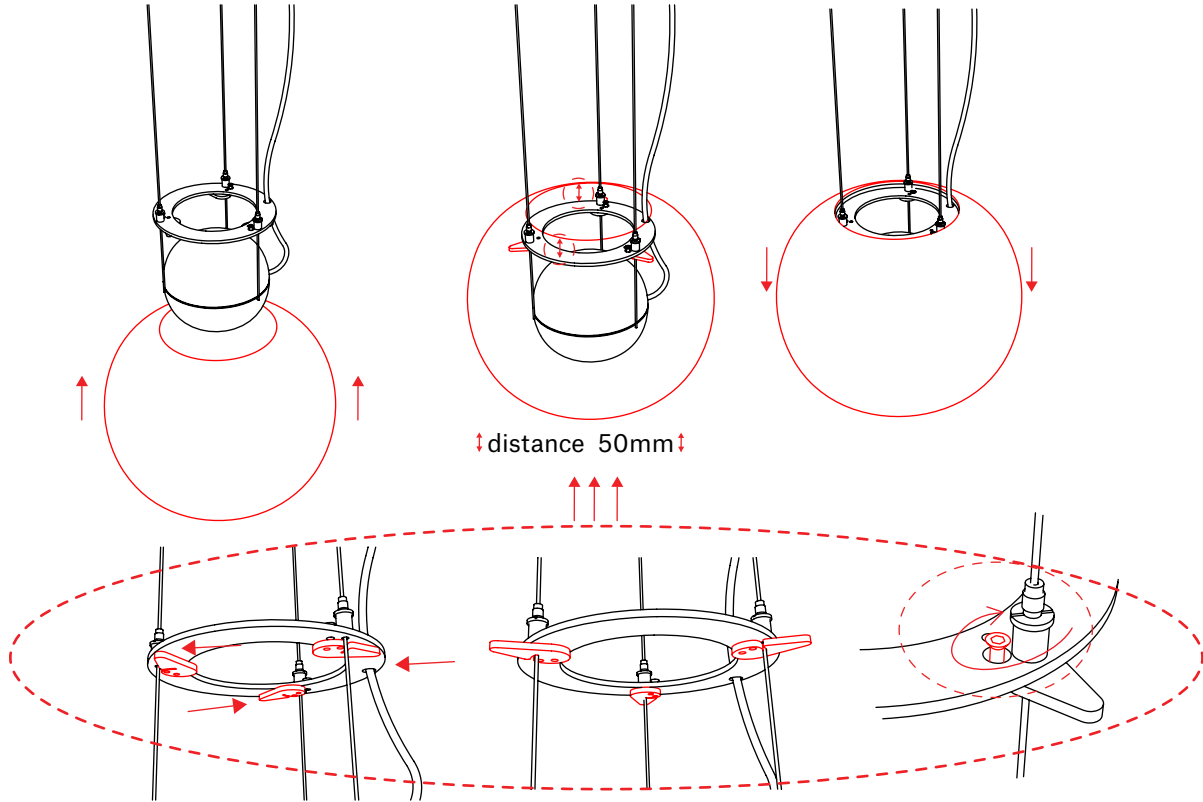
4.



5.



6.



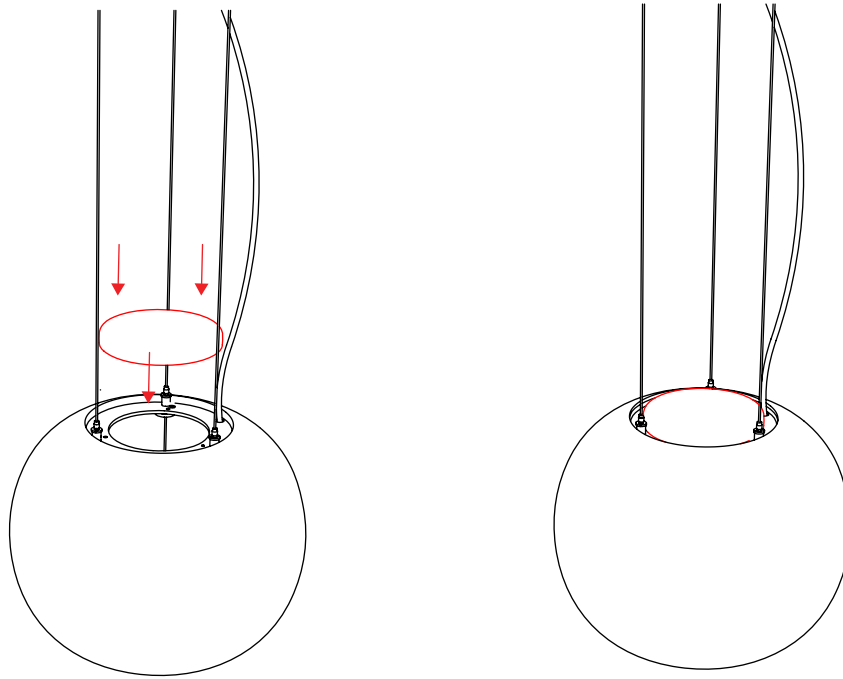
TECHNICAL SUPPORT
info@brokis.cz
www.brokis.cz

OFFICE
Španielova 1315/25, Praha Řepy, 16300, Czech Republic
IČO 64940799, DIČ CZ64940799

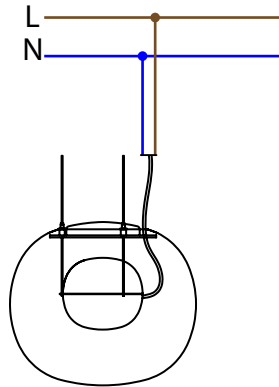
SHOWROOM AND FACTORY
Sídliště Janštejn 39, Horní Dubenky, 588 52,
Czech Republic



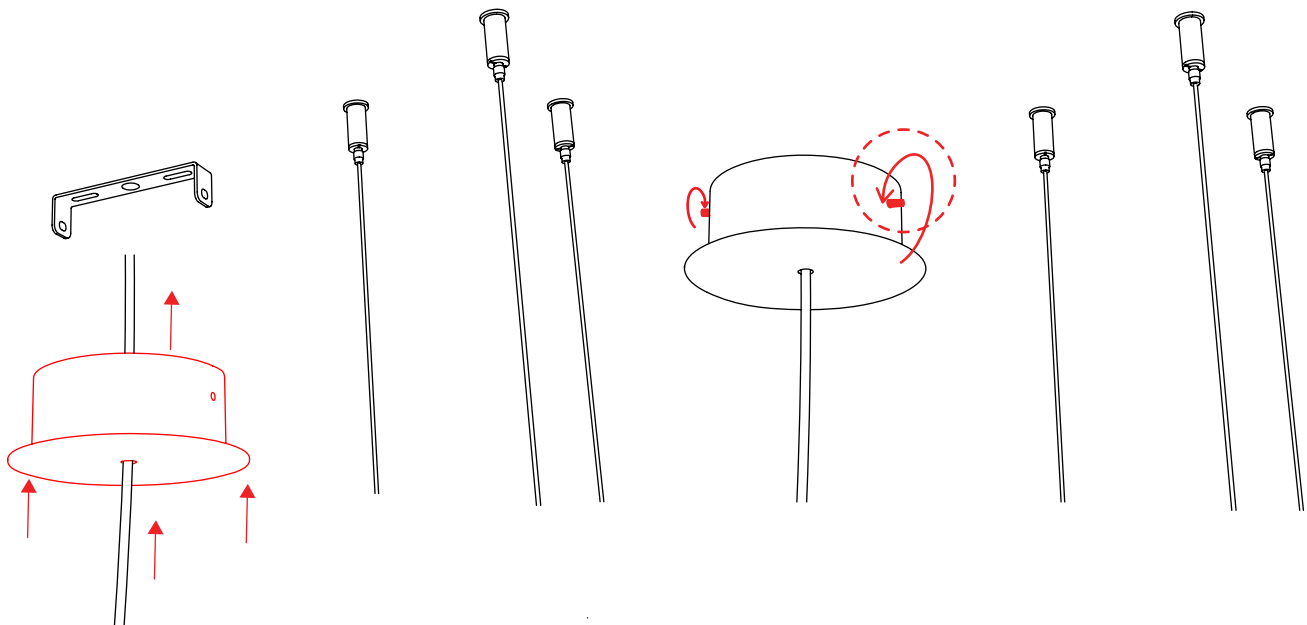
7.



8.



9.



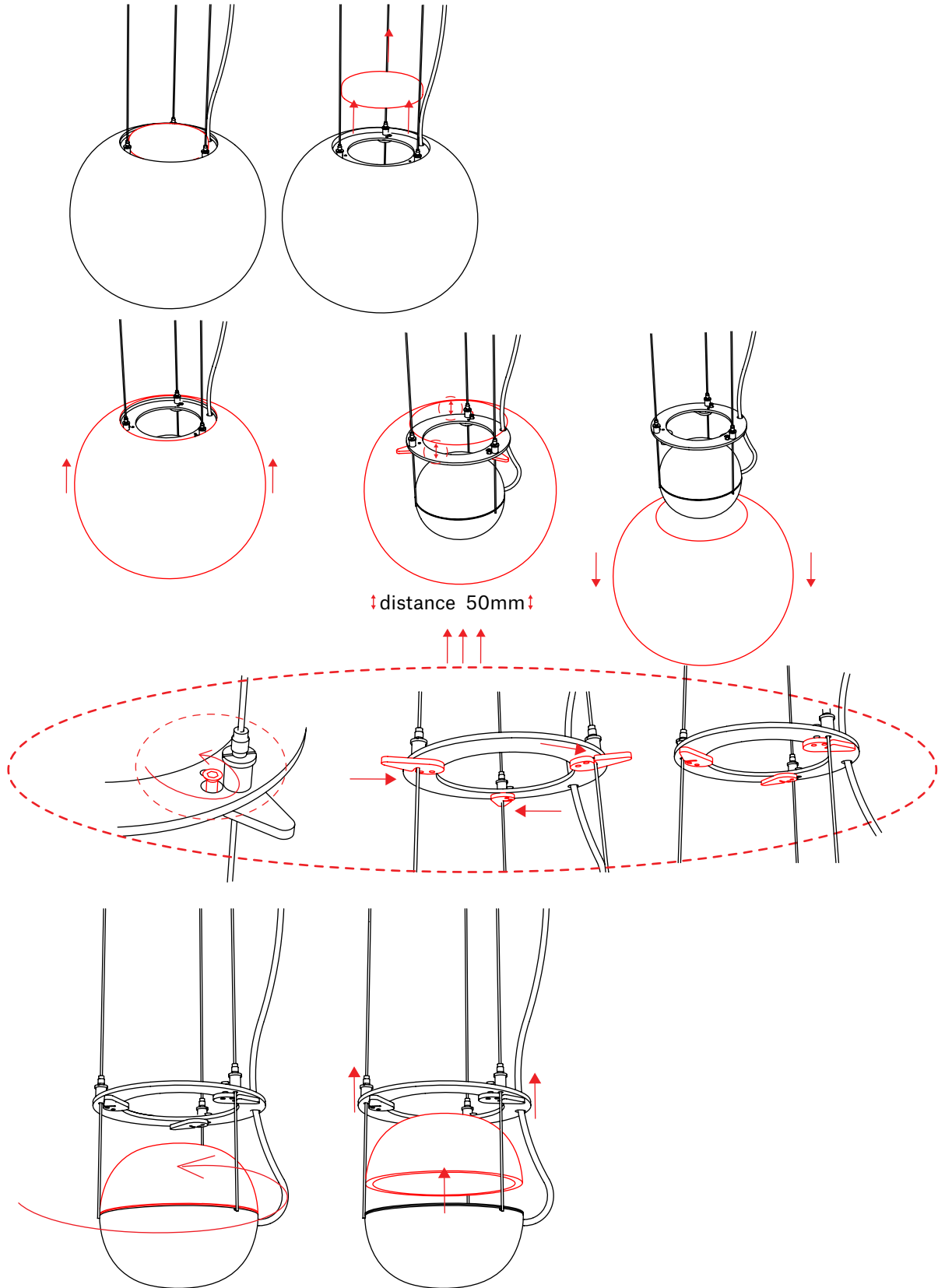
TECHNICAL SUPPORT
info@brokis.cz
www.brokis.cz

OFFICE
Španielova 1315/25, Praha Řepy, 16300, Czech Republic
IČO 64940799, DIČ CZ64940799

SHOWROOM AND FACTORY
Sídliště Janštejn 39, Horní Dubenky, 588 52,
Czech Republic



10.



TECHNICAL SUPPORT
info@brokis.cz
www.brokis.cz

OFFICE
Španielova 1315/25, Praha Řepy, 16300, Czech Republic
IČO 64940799, DIČ CZ64940799

SHOWROOM AND FACTORY
Sídliště Janštejn 39, Horní Dubenky, 588 52,
Czech Republic

